

# AROMA®



## instruction manual

AHP-511

### Single Burner Hot Plate

*Questions or concerns about your Aroma product?*

[www.AromaCo.com/Support](http://www.AromaCo.com/Support)

**1-800-276-6286**

DISCOVER  
more of our  
products!



Digital Rice & Grain  
Multicookers



Rice & Grain  
Cookers



Electric Kettles



Indoor Grills



...and More!

# AROMA®

To Enhance and Enrich Lives.

Here at Aroma we strive to make a difference—to design and distribute products that enhance and enrich people's lives.

Aroma offers an array of exceptional products to make cooking simple and satisfying. Discover other countertop appliances and cookware from our current product lineup to complement your kitchen.

## REGISTER YOUR PRODUCT



Be notified of:

- new product releases
- new test kitchen recipes
- sales and promotions
- ...and more!

SCAN TO REGISTER  
[AromaCo.com/registration](https://www.AromaCo.com/registration)



[/AromaHousewares](https://www.instagram.com/AromaHousewares)



## IMPORTANT SAFEGUARDS

Basic safety precautions should always be followed when using electrical appliances, including the following:

1. **Important: Read all instructions carefully before first use.**
2. Do not touch hot surfaces. Use the handles or knobs.
3. To protect against fire, electrical shock and injury to persons, do not immerse the power cord, plug or appliance in water or any other liquid. See instructions for cleaning.
4. Close supervision is necessary when the appliance is used by or near children. This appliance is not intended for use by children.
5. Prior to plugging the appliance into the wall outlet, ensure the temperature control dial is set to OFF. To disconnect completely, turn the temperature control dial to OFF and unplug the appliance.
6. Unplug from the wall outlet when not in use and before cleaning. Allow the unit to cool completely before cleaning the appliance.
7. Do not operate any appliance with a damaged cord or plug or after the appliance malfunctions or has been damaged in any manner. Contact Aroma® customer service for examination, repair or adjustment.
8. Using attachments or accessories other than those supplied by Aroma Housewares can create a hazard. Do not use incompatible parts.
9. Do not use outdoors.
10. Do not allow the power cord to touch hot surfaces or hang over the edge of a counter or table.
11. Do not place on or near gas, electric or in a heated oven.
12. Do not use the appliance for anything other than its intended use.
13. Do not clean with metal scouring pads. Pieces may break off the pad and damage electrical parts, creating a risk of electric shock. Metal scouring pads may damage the steel finish.
14. When in use, keep the hot plate a minimum of 10-12 inches away from walls. Place on a stable, heat-resistant surface and in a well-ventilated area. Place the appliance on a dry and horizontal surface.
15. A fire may occur if the hot plate is covered or touching flammable material, such as curtains, draperies, walls and the like, while in operation.
16. Do not place any flammable materials in or on the hot plate, such as paper, cardboard, plastic, etc.
17. To ensure an optimum performance life for the hot plate, avoid dropping any food on the heating element.
18. Always unplug from the plug gripping area. Never pull on the cord.
19. If the electric circuit in use is overloaded with other appliances, this appliance may not operate properly. The appliance should be operated on a separate electrical circuit from other operating appliances.
20. Clean the appliance regularly, as a build-up of grease poses a fire hazard.
21. Always allow the appliance to cool completely before cleaning.
22. Do not attempt to move the appliance with cookware on top.
23. Do not plug in or operate the appliance with wet hands.
24. Intended for countertop use only.

## SAVE THESE INSTRUCTIONS



# IMPORTANT SAFEGUARDS

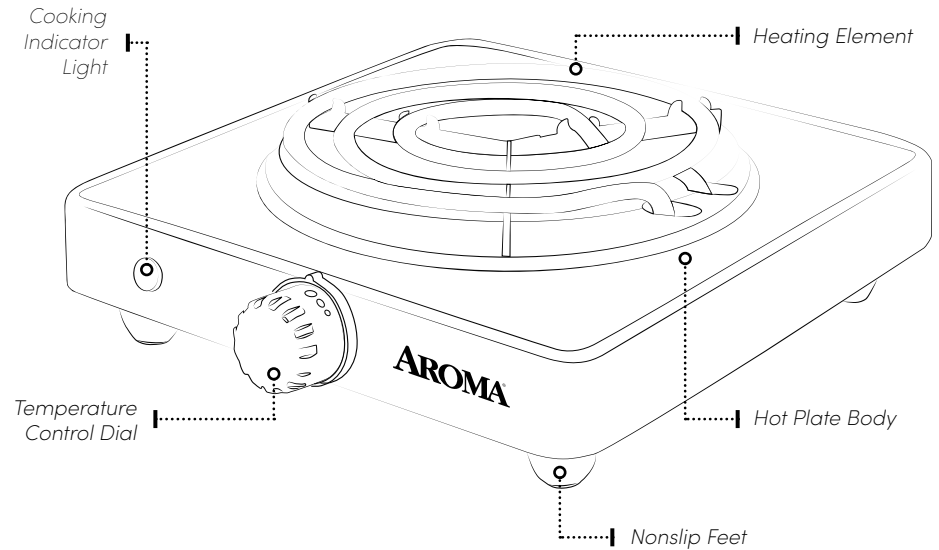
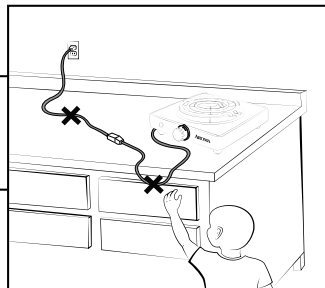
## Parts Identification

### Short Cord Instructions

1. A short power supply cord is provided to reduce the risk resulting from becoming entangled in or tripping over a longer cord.
2. Longer extension cords are available and may be used if care is exercised in their use.
3. If a longer detachable power-supply cord or extension cord is used:
  - a.) The marked electrical rating of the extension cord should be at least as great as the electrical rating of the appliance.
  - b.) The extension cord should be arranged so that it will not drape over the countertop or tabletop where it can be pulled on by children or tripped over unintentionally.

**DO NOT DRAPE CORD!**

**KEEP AWAY FROM CHILDREN!**



### Polarized Plug

This appliance has a polarized plug (one blade is wider than the other); follow the instructions below:

To reduce the risk of electric shock, this plug is intended to fit into a polarized outlet only one way. If the plug does not fit fully into the outlet, reverse the plug. If it still does not fit, contact a qualified electrician. Do not attempt to modify the plug in any way.

If the supply cord is damaged, it must be replaced by the manufacturer, its service agent or a similarly qualified person in order to avoid a hazard.

# THIS APPLIANCE IS FOR HOUSEHOLD USE ONLY.

### Controls/Functions

### Temperature Guide

#### Temperature Control Dial

Sets temperature to desired heat and turns the heating element off.

Dial Setting	Recommended Use
1 - (Warm)	Great for keeping cooked foods at an ideal temperature for serving.
2 - 3 (Low)	Use for simmering, stewing, slow cooking, poaching, braising and applying gentle heat to foods that can burn or scorch easily, such as cream based sauces, delicate meats and seafood.
3 - 4 (Medium)	Ideal for pan frying and cooking soups, or deep frying foods such as chicken wings and potato wedges.
5 (High)	Use the this setting when sautéing or stir frying, bringing water to a boil, in preparation for soups or stock or for steaming foods such as artichokes and broccoli.

## BEFORE FIRST USE

1. Read all instructions and important safeguards.
2. Remove all packaging materials and check that the item has been received in good condition.
3. Tear up all plastic bags and dispose of them properly as they can pose a risk to children.
4. Clean the hot plate body with a damp cloth then wipe dry.
5. Ensure that the temperature control dial is set to OFF then plug the power cord into an available 120V AC outlet.
6. Heat the hot plate on the highest setting for 15 minutes until any smoke and/or odors have completely dissipated.
7. Once smoke and/or odors have ceased to emit, turn the temperature control dial to OFF then remove the plug from the wall outlet.

## TO CLEAN

1. Turn the temperature control dial to OFF then remove the plug from the wall outlet.
2. Allow the unit to completely cool.
3. Wipe the hot plate body with a damp cloth and non-abrasive household detergent.
4. Clean the heating element surface with household cleaning powder then wipe clean with a damp cloth.
5. Dry all parts thoroughly before next use.

## USING THE HOT PLATE

1. Place the cookware to be used onto the heating element.
2. Ensure that the temperature control dial is set to OFF then plug the power cord into an available 120V AC outlet.
3. Turn the temperature control dial to the desired heat setting.
4. Cook food as instructed by the recipe.
5. When finished cooking, turn the temperature control dial to OFF and remove the plug from the wall outlet.
6. ....



## Caution:

Do not operate the hot plate without cookware atop the heating element, unless you are following the initial cleaning instructions in "Before First Use".

Do not touch the heating element or the body of the hot plate while in operation as it will be extremely hot.

Always wait for the heating element to cool completely before cleaning or storing.

Avoid dripping liquids on the surface of the hot plate while cooking.

Do not use harsh or abrasive cleaners on the hot plate or heating element.

## Note:

Any other servicing should be performed by Aroma® Housewares.

Due to the manufacturing process, it is normal for smoke and odors to be emitted during the first use.

## Helpful Hints:

For best results, we recommend only using cookware with flat bases and diameters between 6½-7 inches and a maximum capacity of 1½ quarts.

## LIMITED WARRANTY

Aroma Housewares Company warrants its products against defects in material and workmanship for one year from the provable date of purchase in the United States.

Within this warranty period, Aroma Housewares Company will repair or replace, at its discretion, defective parts at no charge. Proof of the date of purchase, such as the original dated sales receipt, will be required with any request for warranty repair or replacement. All liability is limited to the amount of the purchase price.

This warranty does not apply if the warranty period expired; the product has been modified by any unauthorized service center or personnel; the defect was subject to abuse, improper use not conforming to product manual instructions, or environmental conditions more severe than those specified in the manual and specification, neglect of the owner or improper installation; the defect was subject to Force Majeure such as flood, fire, lightning, earthquake, other natural calamities, war. The warranty excludes accessories and replacement parts. This warranty is void if the product is used for other than single-family household use or subjected to any voltage and waveform other than as specified on the rating label (e.g., 120V ~ 60Hz).

Aroma's sole obligation under the warranty shall be to replace the defective product with a working one or a similar model of equivalent value, if the same model is not available, in the occurrence of any failure or defect covered under the warranty during the warranty period. Refurbished items or items not purchased through an authorized retailer are not eligible for warranty claims. Transportation charges on parts, or products in whole, submitted for repair or replacement, under this warranty, must be borne by the purchaser.

This warranty gives you specific legal rights, which may vary from state to state, and does not cover areas outside the United States.

## SERVICE & SUPPORT

In the event of a warranty claim, or if service is required for this product, please contact Aroma® customer service toll-free at:

**1-800-276-6286 | CustomerService@AromaCo.com**  
M-F, 8:30am-4:30pm, Pacific Time

**www.AromaCo.com**

Aroma Housewares Company  
6469 Flanders Drive, San Diego, CA 92121, U.S.A.

## Note:

Proof of purchase is required for all warranty claims.

Failure to register your product will not diminish your warranty rights.

Not satisfied with your Aroma® purchase? Our product experts can help! **Before returning, please contact Customer Service at 1-800-276-6286** for product support, helpful tips and more!



To Enhance and Enrich Lives.



[www.AromaCo.com](http://www.AromaCo.com)